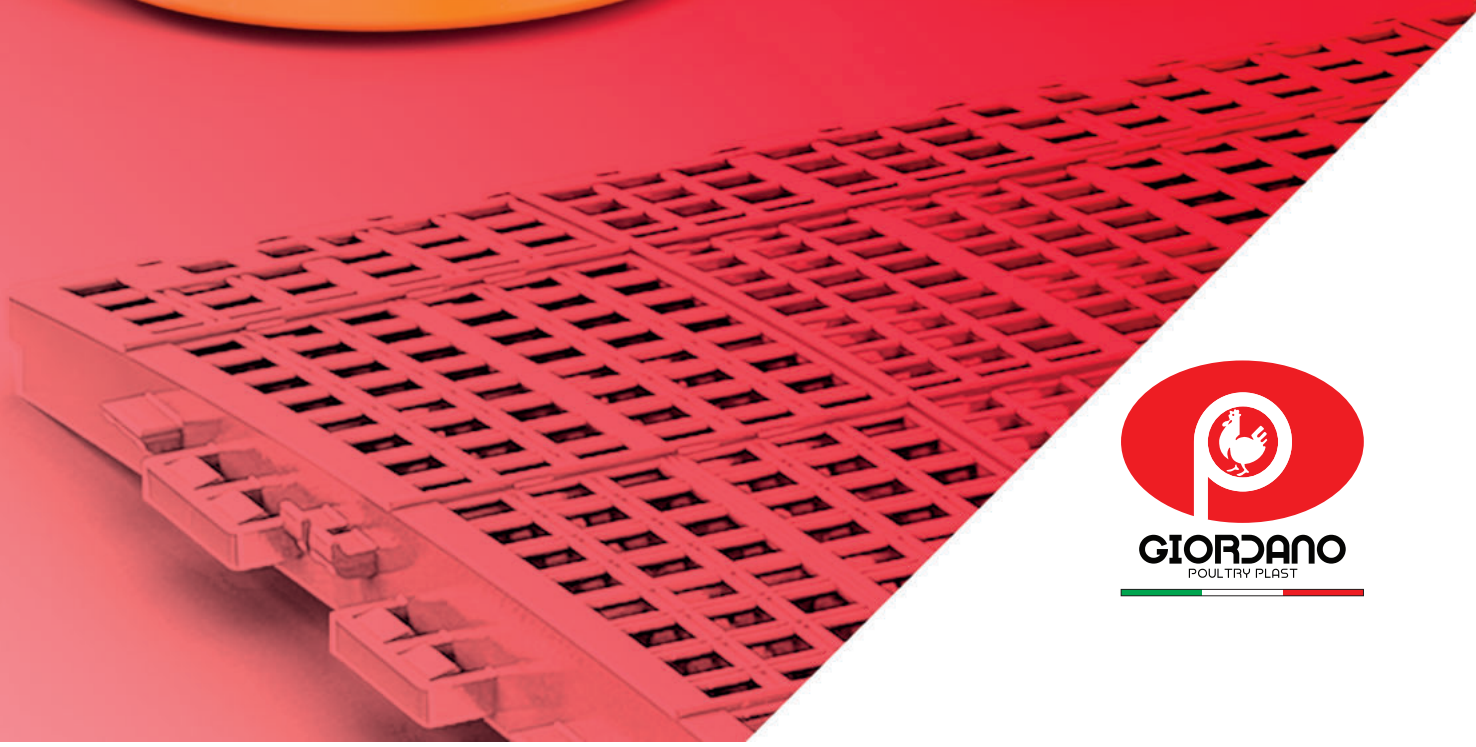
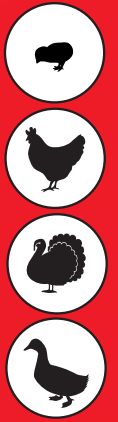


BREEDING





GIORDANO POULTRY PLAST

Giordano Poultry Plast® was founded in 1962 and continues to be run by the Giordano family.

Since its origin, it has devoted itself to the poultry sector, specialising in it: from hatching to breeding, all the way down to slaughtering and transport, and it has made its production revolve around a material endowed with countless qualities: plastic.

Equipment supply to animal farming represents the deepest root of the group activity, and the sector in which its longest history has given birth to a wide-ranging and well-structured production and commercial organization worldwide.

The specific expertise in the use of materials has led to the development, especially in recent years, of a significant network of relationships with other leading companies in the sector, operating not only in the breeding field but also in such other fields as slaughtering and transport, for which the Giordano group designs and creates high-tech plastic products and components. A supplementary recognition of skill and reliability.

Thanks to a direct knowledge of the usage profile and of the different technical and practical needs coming from the various sectors within the global poultry industry, the Company attends directly to all production phases.

From creation to design, in our R&D department, and final manufacture, the company is always looking for innovative high-performing products and solutions, capable of combining efficiency, cost-effectiveness and durability.





AUTOMATIC LINE

Thanks to its current range of lines, made with recognized and peculiar raw materials (100% made in Italy) and proved reliable functioning, Giordano Poultry Plast® is effectively positioned on the market as supplier of automatic lines and their complementary components.

The possibility of offering turnkey feeding and drinking lines is worthwhile for poultry as well as for turkey and duck farms, confirming the severe decrease in human intervention during the breeding.

The efficient automatic feeders and drinking lines are designed for all species of poultry interest and for every breeding need. They are also easy to assemble and maintain, and allow a significant reduction in time and management costs.





TWIST & MAXI TWIST



Cod. 0308001.50
TWIST



CHARACTERISTICS

Diameter: 350 mm
Circumference: 1.110 mm
Capacity:
60/70 adult chicken 2,5 kg
Depth: 40 mm
Weight: 0,86 kg
Standard packing:
20 cones per carton
540x540x570 mm
20 pans per carton
710x360x1.010 mm
Shipping capacity:
1.200 pieces per 20' cnt
2.400 pieces per 40' cnt
2.760 pieces per 40' HC

Cod. 0308004.50
MAXI TWIST

CHARACTERISTICS

Diameter: 375 mm
Circumference: 1.180 mm
Capacity:
70/80 adult chicken 2,5 kg
Depth: 55 mm
Weight: 0,88 kg
Standard packing:
20 cones per carton
540x540x57 mm
20 pans per carton
400x1.000x800 mm
Shipping capacity:
1.040 pieces per 20' cnt
2.080 pieces per 40' cnt
2.360 pieces per 40' HC

Cod. 0308103.50
CAP



Cod. 0308104.50
FLAT CAP



Twist is the only truly fully automatic feeder worldwide. It is the first poultry feeder consisting of only 3 parts and the only feeder allowing a one-step washing process, without any disassembling or handling. Twist is made to follow the entire cycle growth of the broiler, satisfying ideal bird feeding needs by simply modifying the height of the line, to provide the best results up to the end of the lifecycle. The special inclination towards the inner centre of the plate and the edge design allow a substantial reduction of food leakage during the feeding.





POLYFEEDER



CHARACTERISTICS

Cod. 0307003.50

Diameter:
400 mm

Circumference:
1.250 mm

Capacity:
60/70 adult turkeys 18/20 kg

Weight:
1,789 kg

Cod. 0307001.50

Weight: 2,119 kg

Shipping capacity:
700 pieces per 20' cnt
1.460 pieces per 40' cnt
1.700 pieces per 40' HC

The combination varies
according to the accessories

Cod. 0307003.50
WITHOUT COVER



Cod. 0307050
FIXED VERSION
WITH COVER



OPEN/CLOSE



PATENTED

FIXED



Polyfeeder is the automatic feeder of Giordano Poultry Plast for turkey and web-footed bird breeding. This highly resistant plastic feeder is suitable for all ages of birds realized with decomposable and modular parts, allowing different applications. Its main advantage is that it can be used during the breeding and fattening phases in all situations where it is possible to carefully adjust the feed flux.





POLYFEEDER

Cod. 0307126.50
COMBINATION 10+14



Cod. 0307113.50
COMBINATION 13



Cod. 0307124.50
COMBINATION 10+11



Cod. 0307108.50
COVER



Cod. 0307109.50
COLLARETTE



Cod. 0307101.50
PLATE





DRINKER T-LINE



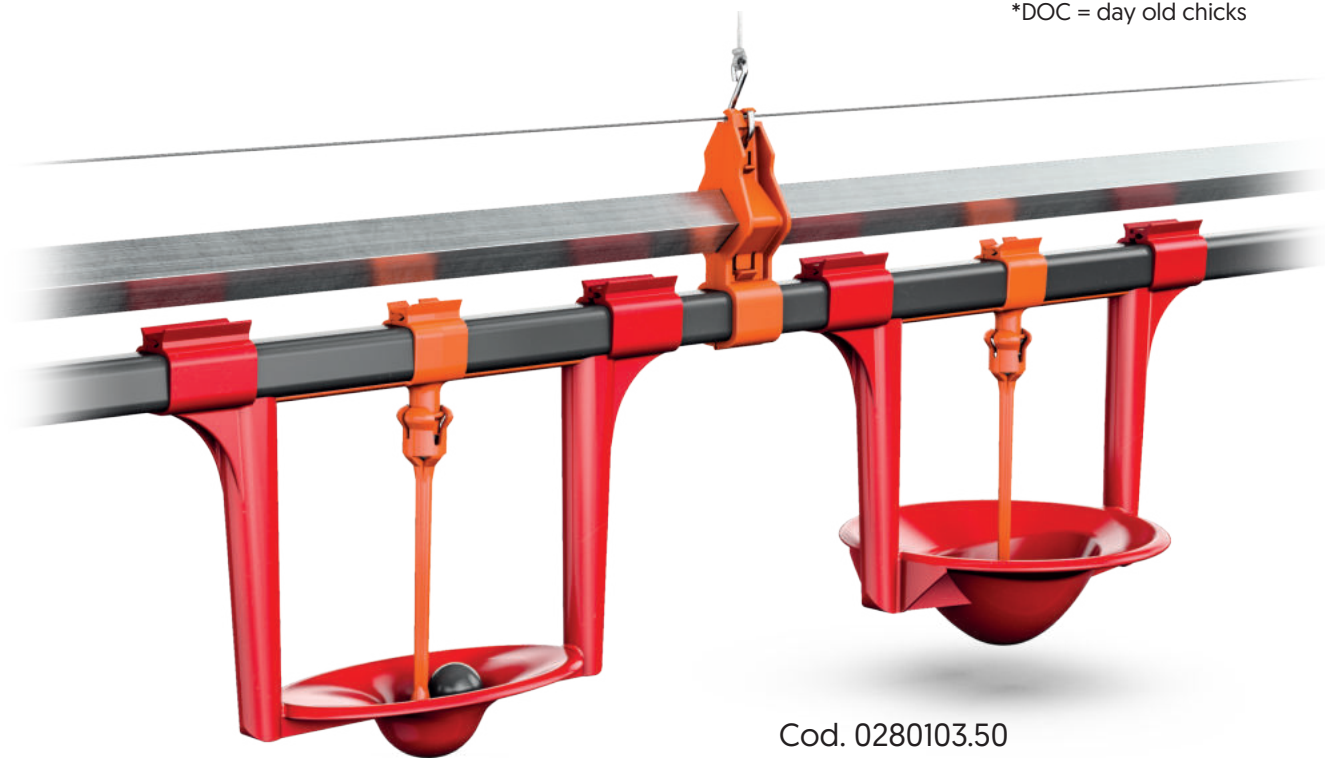
CHARACTERISTICS

Capacity:

Duck:
25/30 DOC*/cup
9/11 finishing/cup

Turkey:
30/40 DOC*/cup
25/30 finishing/cup
20 TOM/cup

*DOC = day old chicks



Cod. 0280102.50
REARING

Cod. 0280103.50
FATTENING BIG CUP

The Drinker T-Line is specifically designed for ducks and turkeys. It provides perfect functionality, optimum performances and is composed by few components. Permanent supply of fresh water permits the animals to live in a healthy environment and to decrease the mortality rate.

The pendulum, which is connected to the nipple and oscillates thanks to the pecking of ducks, minimizes water wasting and permits a correct calibration of water.





DRINKER T-LINE



Cod. 0260114.50
COLLARETTE



Cod. 0280104.50
DUCK CUP



Cod. 0260110.50
TURKEY/DUCK
water flow cc/min 75





SUPER DROP



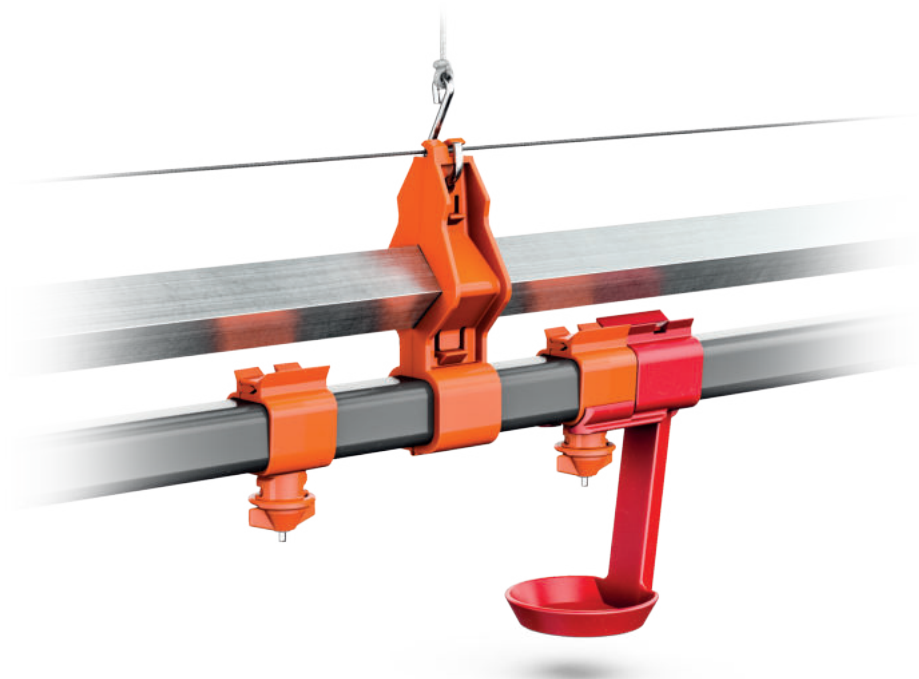
CHARACTERISTICS

Capacity:
10/12 chickens

The drinking line has a perfect functionality and optimum performance.

No waste, no leakage, always dry litter. Permanent supply of fresh water results in healthy environment with less mortality.

Different nipples available depending on water flow and the species of farmed birds.



Cod. 0250013.00
BROILER
water flow cc/min 30

Cod. 0270117.00
BROILER/BREEDER
water flow cc/min 24

Cod. 0250016.50
DUCK WEANING
water flow cc/min 80





FEEDERS & DRINKER

All poultry farms, wherever they might be and whatever their size, need an adequate administration of food and drinking water.

The Giordano Poultry Plast® drinkers and feeders are designed to ensure a positive economic result in compliance with regulatory requirements and growing expectations of animal welfare, environmental sustainability and monitoring of health and hygiene conditions.

Among the most dynamic areas of its business, Giordano Poultry Plast® has regularly expanded its range of drinking and feeder troughs over time and the species for which the same should be designed and implemented.

All drinkers and feeders in the company's range are easy to assemble and maintain. The whole product range is made to follow the entire cycle growth of the animal, from the chick up to the adult stage, through products designed to satisfy all poultry species.

The materials used to produce our products are adequately tested, and thanks to the use of various additives we protect them from UV rays, colour them, and customize them according to customer requirements.





MANOLA B



Cod. 0301001.50

CHARACTERISTICS

Diameter:
450 mm
Circumference:
1.300 mm
Depth:
75 mm
Feeder capacity:
20 kg
70/80 adult chickens
Weight:
1,7385 kg
Standard packing:
20 cones per carton
680x360x700 mm
20 pans per carton
450x450x550 mm
Shipping capacity:
2.100 pieces per 20' cnt
4.200 pieces per 40' cnt
4.800 pieces per 40' HC



Cod. 0301002.50
WITHOUT COVER

Weight:
1,6385 kg



Cod. 030117.50
GARDEN RAIN COVER

Diameter:
610 mm





MANOLA T



Cod. 0301003.50
WITH COVER

CHARACTERISTICS

Diameter:
560 mm

Circumference:
1.726 mm

Depth:
112,5 mm

Feeder capacity:
20 kg
50/60 adult turkeys

Weight:
2,6525 kg

Standard packing:
20 cones per carton
680x360x700 mm
20 pans per carton
550x550x930 mm

Shipping capacity:
1.200 pieces per 20' cnt
2.400 pieces per 40' cnt
2.600 pieces per 40' HC



Cod. 0301004.50
WITHOUT COVER

SPARE PARTS

MANOLA B/T

Cod. 0301103.50
LID



Cod. 0301102.50
CONE



Cod. 0301106.50
BOTTOM STABILIZING
BAR



Cod. 0301105.50
TOP STABILIZING
BAR



Cod. 0306103.50
SUSPENSION HOOK



Cod. 0301110.50
SCREW 20 mm



Cod. 0301120.50
SCREW 30 mm



Cod. 0301116.50
METAL WASHER



ONLY MANOLA B

Cod. 0301101.50
PAN



Cod. 0301118.50
ANTI-WASTE GRID



Cod. 0301104.50
ALUMINIUM STEM



ONLY MANOLA T

Cod. 0301108.50
PAN



Cod. 0301109.50
ANTI-WASTE GRID



Cod. 0301104.50
ALUMINIUM STEM





PICASSIETTE



Cod. 0306001.50
WITH COVER



CHARACTERISTICS

Diameter:
320 mm
Weight:
1,125 kg
Capacity:
10 kg
500 broiler DOC*
250 turkey DOC*
*DOC = day old chicks
Shipping capacity:
1.620 pieces per 20' cnt
3.420 pieces per 40' cnt
4.200 pieces per 40' HC



Cod. 0306103
COVER (optional)

Cod. 0306102
CONE

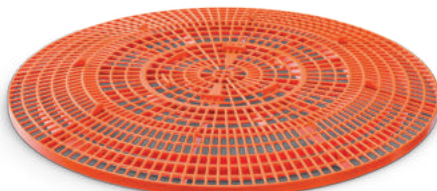
Cod. 0306101
PLATE

Cod. 0306002.50
WITHOUT COVER

Weight:
0,95 kg
Shipping capacity:
1.620 pieces per 20' cnt
3.420 pieces per 40' cnt
4.560 pieces per 40' HC

FEED PLATE AND GRID

Cod. 0305001.50
FEED PLATE



CHARACTERISTICS

Diameter:
400 mm
Capacity:
100 chicks
Weight:
0,390 kg
[100 per cartons]

Cod. 0210106.01
GRID

CHARACTERISTICS

Diameter:
540 mm
Weight:
0,650 kg

GRID



Cod. 0430001.50
GRID 1.000x500 mm

Cod. 0430003.50
GRID 1.000x400 mm

Cod. 0430002.50
GRID 1.000x200 mm





SORBETTO SYSTEM - MINI JUMBO



Cod. 0205001.50

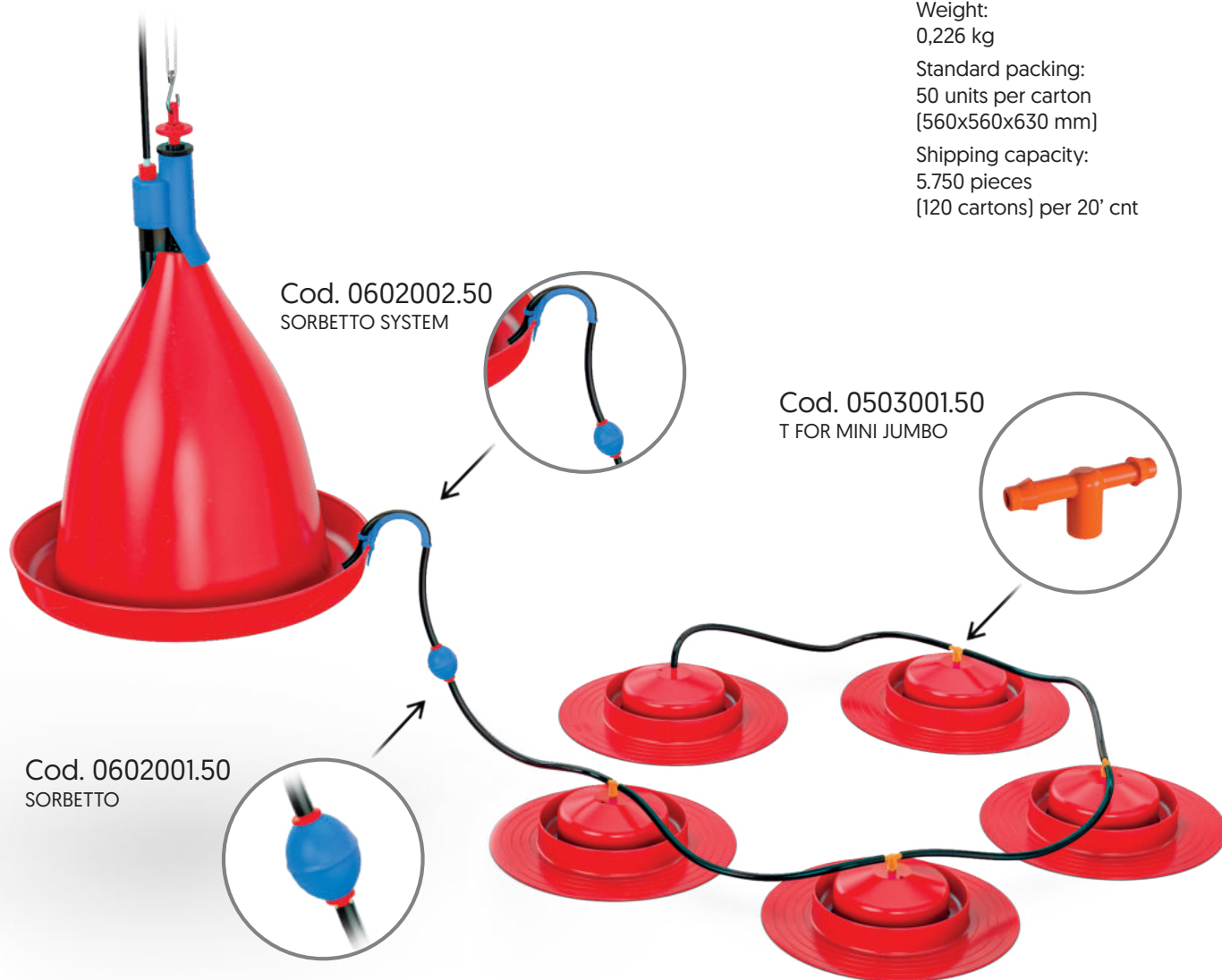
CHARACTERISTICS

Capacity:
100 chicks

Weight:
0,226 kg

Standard packing:
50 units per carton
(560x560x630 mm)

Shipping capacity:
5.750 pieces
(120 cartons) per 20' cnt



Cod. 0602002.50
SORBETTO SYSTEM

Cod. 0503001.50
T FOR MINI JUMBO

Cod. 0602001.50
SORBETTO





MINI P200 FOR CAGES

Cod. 0206001.50

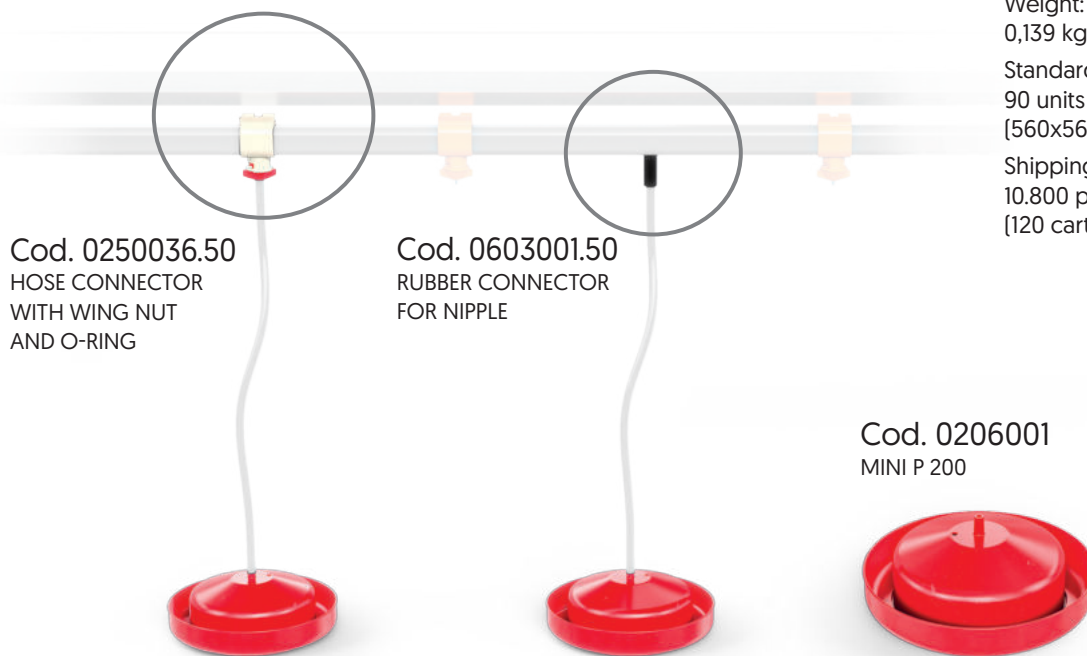
CHARACTERISTICS

Capacity:
60/80 chicks

Weight:
0,139 kg

Standard packing:
90 units per carton
(560x560x630 mm)

Shipping capacity:
10.800 pieces
(120 cartons) per 20' cnt



Cod. 0250036.50
HOSE CONNECTOR
WITH WING NUT
AND O-RING

Cod. 0603001.50
RUBBER CONNECTOR
FOR NIPPLE

Cod. 0206001
MINI P 200

GRAVITY DRINKER

Cod. 0207002/L3

CHARACTERISTICS

Capacity:
80 chicks

Weight:
0,315 kg

Standard packing:
50 units per carton
(400x400x820 mm)

Shipping capacity:
8.750 pieces per 20' cnt
17.500 pieces per 40' cnt



Cod. 0207001/L5

CHARACTERISTICS

Capacity:
100 chicks

Weight:
0,370 kg

Standard packing:
50 units per carton
(480x480x570 mm)

Shipping capacity:
9.600 pieces per 20' cnt
19.200 pieces per 40' cnt





G 89



Cod. 0210001.50

CHARACTERISTICS

Outside dimensions:
bell diameter 280 mm
bell seat diameter 345 mm

Weight
0,660 kg

Drinking capacity:
80/100 chicks

Standard packing:
20 pieces per carton
(630x360x880 mm)

Shipping capacity:
3.000 pieces per 20' cnt
6.000 pieces per 40' cnt



JUMBO JUNIOR



Cod. 0209003.50

CHARACTERISTICS

Outside dimensions:
bell diameter 370 mm
height 280 mm

Weight:
1,370 kg

Drinking capacity:
70/80 adult chickens

Standard packing:
20 pieces per carton
(820x640x740 mm)

Shipping capacity:
1.500 pieces per 20' cnt
3.000 pieces per 40' cnt





JUMBO B



Cod. 0201011.50

CHARACTERISTICS

Outside dimensions:
diameter 400 mm
height 630 mm
Weight:
1,855 kg
Drinking capacity:
60/80 adult broiler/breeder
Standard packing:
20 pieces per carton
(660x420x710 mm)
Shipping capacity:
2.860 pieces (143 cartons)
per 20' cnt
5.740 pieces (287 cartons)
per 40' cnt
5.740 pieces per 40' HC



G 86



Cod. 0208006.50

CHARACTERISTICS

Outside dimensions:
diameter 380 mm
height 625 mm
Weight:
1,862 kg
Drinking capacity:
60/80 adult broiler
Standard packing:
20 pieces per carton
(410x410x700 mm)
Shipping capacity:
4.200 pieces (210 cartons)
per 20' cnt
8.400 pieces (432 cartons)
per 40' cnt
8.400 pieces (432 cartons)
per 40' HC

Working only suspended





JUMBO T



Cod. 0201009.50



CHARACTERISTICS

Outside dimensions:
diameter 480 mm
height 650 mm

Weight:
2,057 kg

Drinking capacity:
50/60 adult fattener/breeder

Standard packing:
20 pieces per carton
(700x470x710 mm)

Shipping capacity:
2.080 pieces (104 cartons)
per 20' cnt
4.160 pieces (208 cartons)
per 40' cnt
4.160 pieces per 40' HC

JUMBO 98



Cod. 0211003



CHARACTERISTICS

Outside dimensions:
305 mm depth 100 mm
through 100x70 mm
total height 500 mm

Weight:
1,223 kg

Drinking capacity:
50/60 adult fattener

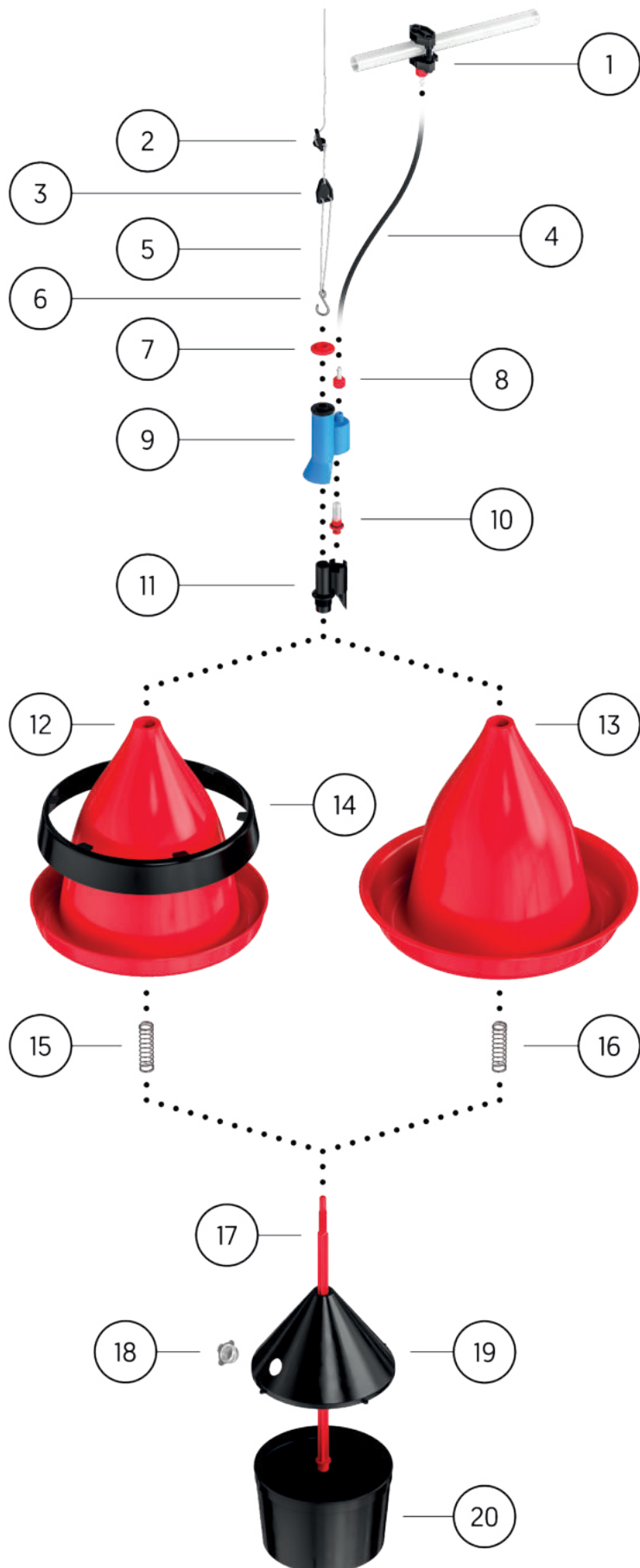
Standard packing:
20 pieces per carton
(330x620x920 mm)

Shipping capacity:
3.000 pieces (150 cartons)
per 20' cnt
6.000 pieces (300 cartons)
per 40' cnt
6.000 pieces (300 cartons)
per 40' HC

Working only suspended



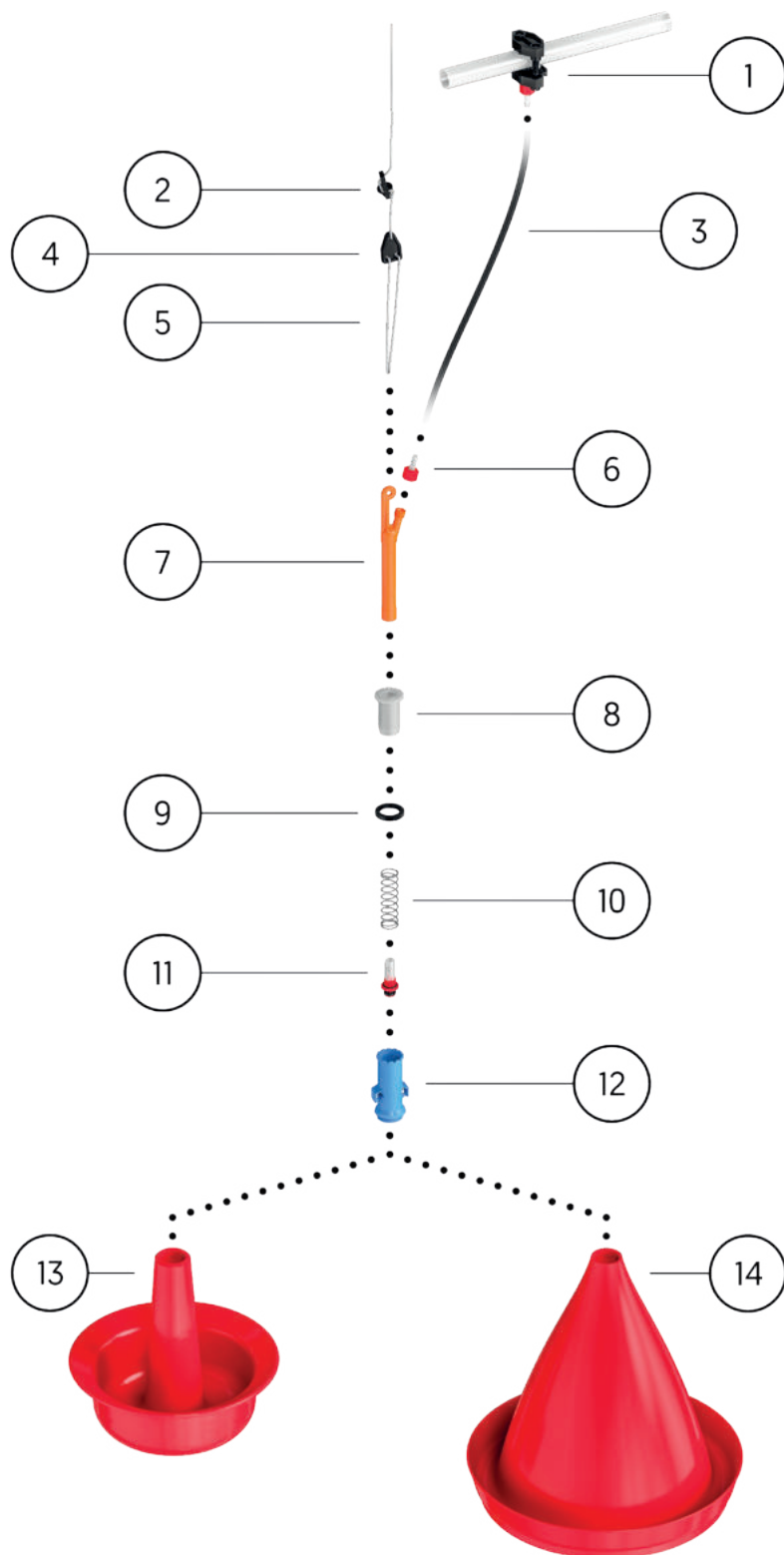
JUMBO B Ø9 / JUMBO T Ø9



1	0480001	Shut-off saddle
2	0505107	Hose hook
3	0505106	Cord adjuster
4	0604001	Hose 5x9 mm
5	0505111	Suspension cord
6	0505119	Suspension hook (metal)
7	0201111	Locknut
8	0501111	Hose connector
9	0201107	Water level control
10	0506001	Valve
11	0201108	Collar
12	0201102	Jumbo-B bell
13	0201101	Jumbo-T bell
14	0201109	Chick ring for Jumbo-B
15	0505114	Spring (Jumbo-B)
16	0505115	Spring (Jumbo-T)
17	0201106.50	Stem
18	0201112	Plug
19	0201104.50	Cover
20	0201105.50	Base
18+19+20	0201103	Ballast Complete



JUMBO 98 / G86 Ø9

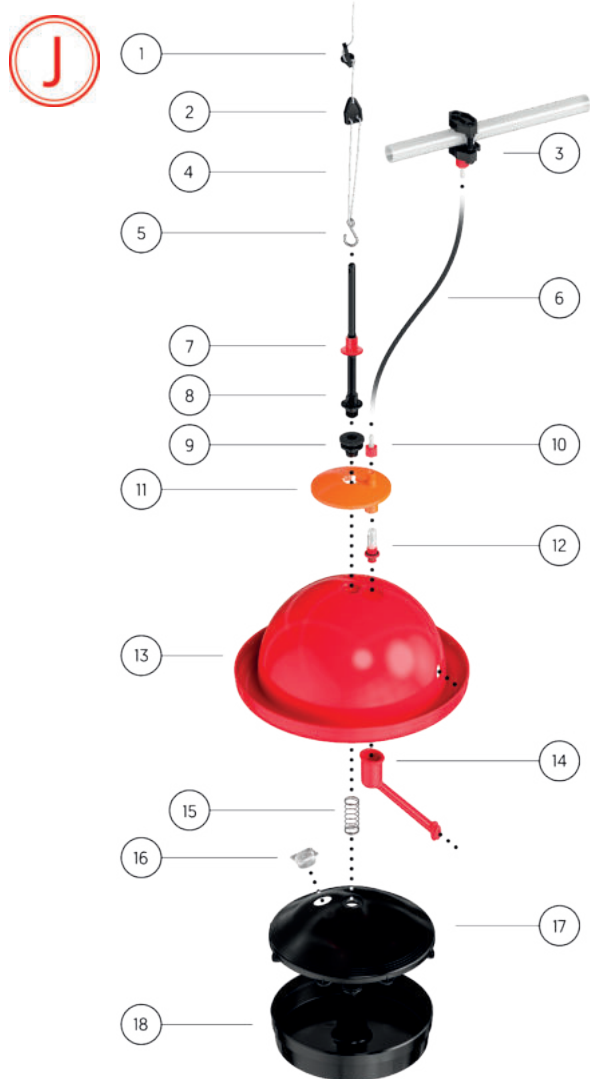


1	0480001	Shut-off saddle
2	0505107	Hose hook
3	0604001	Hose 5x9 mm
4	0505106	Cord adjuster
5	0505111	Suspension cord
6	0501111	Hose connector
7	0505101	Valve flow tube
8	0505103	Valve adjusting screw
9	0505104	Locknut
10	0505110	Spring
11	0506001	Valve
12	0208102	Collar
13	0211004	Bell Jumbo 98
14	0208101	Bell G86



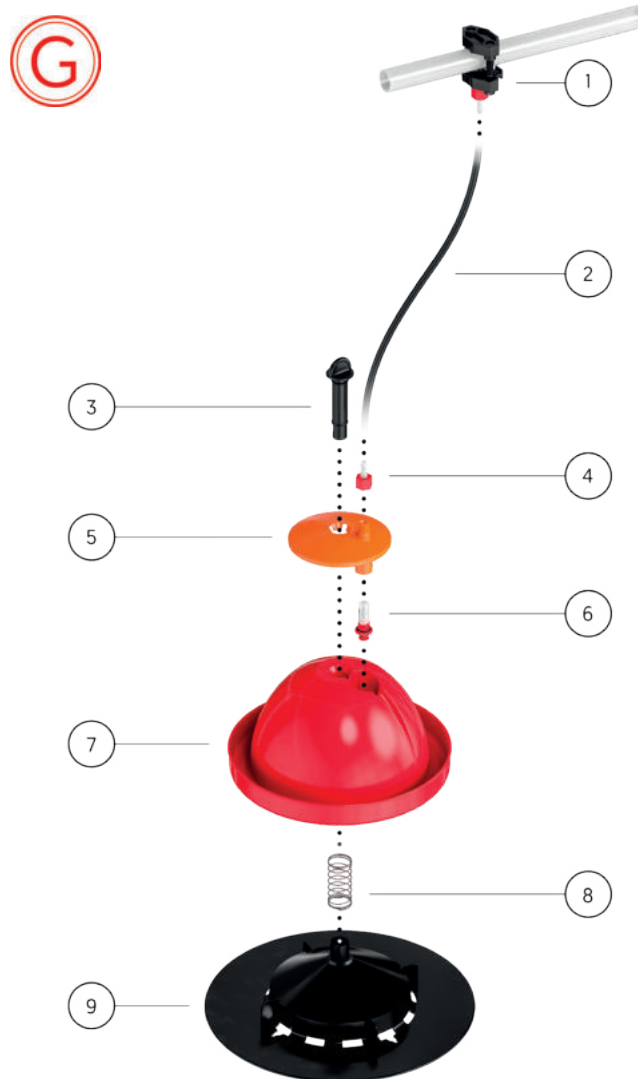


JUMBO JUNIOR Ø9



J 1	0505107	Hose hook
J 2	0505106	Cord adjuster
J 3	0480001	Shut-off saddle
J 4	0505111	Suspension cord
J 5	0505119	Suspension hook (metal)
J 6	0604001	Hose 5x9 mm
J 7	0209109.50	Red Locknut
J 8	0209105.50	Stem
J 9	0209112.50	Locknut
J 10	0501111	Hose connector
J 11	0209111.50	Water level control
J 12	0506001	Valve
J 13	0209101	Bell
J 14	0209106	Water pipe
J 15	0209110	Spring
J 16	0201112	Plug
J 17	0209103	Cover
J 18	0209104	Base
J 17+18	0209102	Ballast Complete

G89 Ø9



G 1	0480001.50	Shut-off saddle
G 2	0604001	Hose 5x9 mm
G 3	0210103	Black guide
G 4	0501111	Hose connector
G 5	0209111.50	Water level control
G 6	0506002.50	Valve
G 7	0210101	Bell
G 8	0210104	Spring
G 9	0210102	Base





MINI-JUMBO DRINKER



Cod. 0205001
MINI-JUMBO DRINKER



Cod. 0205101
PLATE



Cod. 0205106.50
COVER



Cod. 0205103
FLOAT



Cod. 0204107
WASHER

VALVE SPARE-PARTS



Cod. 0506001
VALVE



Cod. 0506102
FILTER



Cod. 0506109
RUBBER BULLET



Cod. 0506107
O-RING



Cod. 0506101
VALVE BODY



Cod. 0506104
SPRING



Cod. 0506105
WASHER



Cod. 0506103
STEM

ACCESSORIES



Cod. 0480001
SHUT-OFF SADDLE Ø9



Cod. 0501111
HOSE CONNECTOR Ø9



Cod. 0501112.50
HOSE CONNECTOR Ø14



Cod. 0503001.50
PLASTIC "T" Ø9



Cod. 0604002
HOSE 10x14 mm



Cod. 0604001
HOSE 5x9 mm



Cod. 0503002.50
THREADED "T" Ø9



Cod. 0503003.50
THREADED "T" Ø14





SLAT

Made with high quality plastic, the slats are resistant to corrosion, have a long life, are easily cleaned and disinfected and, above all, are safe, thus ensuring high-breeding performance levels. They are made with polypropylene, a copolymer UV stabilized that reduces ageing due to solar rays, resistant to high temperature.

The advantage of a slat is that the litter quality is consistently better, because the birds sleep on the slats. This means that a lot of manure is produced on the slats and collected under them and animal welfare is guaranteed.

The special design allows maximum ventilation and this leads to an increase in the number of animals per square meter.

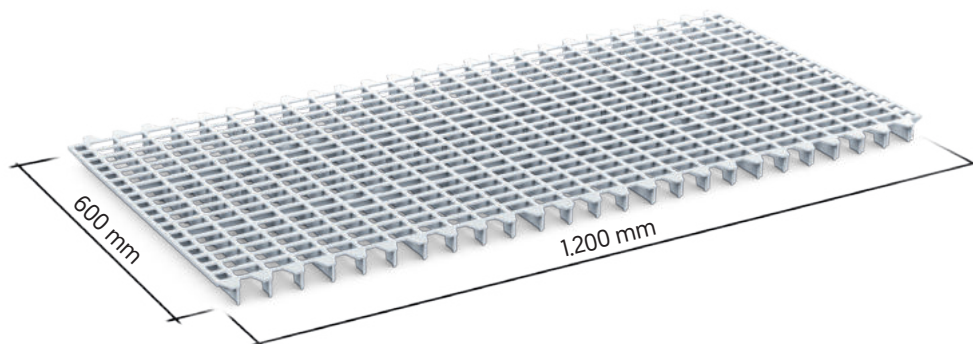




BREEDER SLAT



Cod. 0450005.50/120x60



CHARACTERISTICS

Outside dimensions:
1.200x600 mm

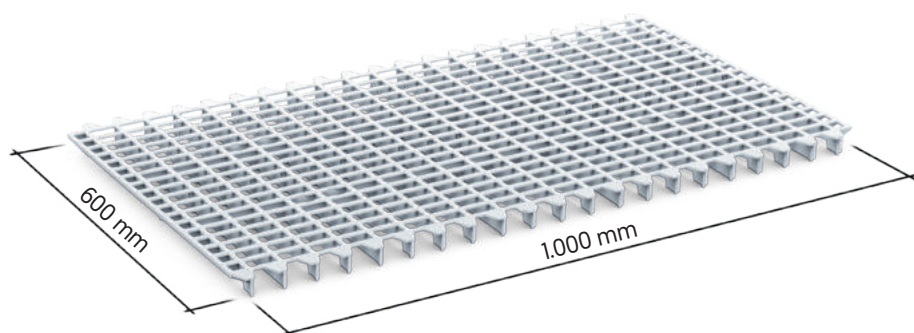
Weight:
3,300 kg

Loading resistance:
200 kg/piece

Standard colour:
white

Shipping capacity:
1.200 pieces per 20' cnt
2.500 pieces per 40' cnt
3.000 pieces per 40' HC

Metal support



Cod. 0450006.50/100x60

CHARACTERISTICS

Outside dimensions:
1.000x600 mm

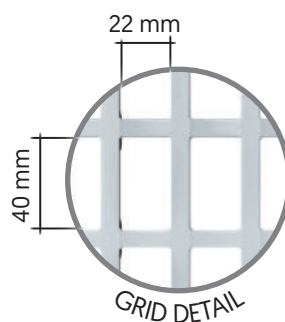
Weight:
2,800 kg

Loading resistance:
200 kg/piece

Standard colours:
white

Shipping capacity:
1.500 pieces per 20' cnt
3.100 pieces per 40' cnt
3.350 pieces per 40' HC

Metal support





GRINTA-T/INOVA SLAT



CHARACTERISTICS

Outside dimensions:

1.000x1.000 mm

Loading resistance:

400 kg/m²

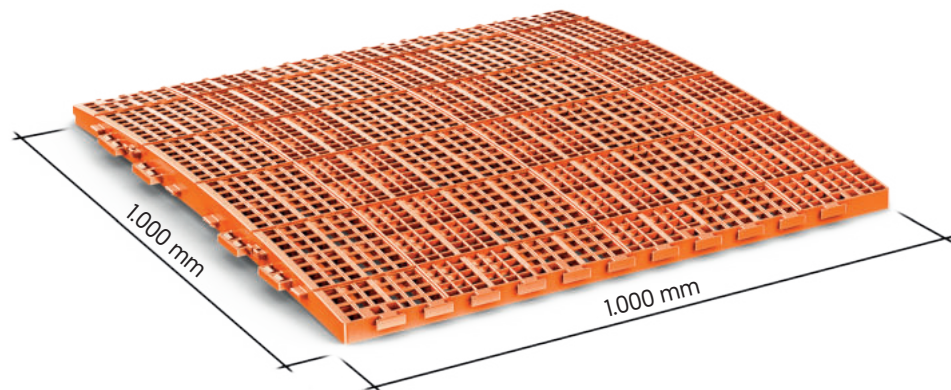
Shipping capacity:

460 slats without feet 20' cnt

390 slats with feet 20/30 20' cnt

320 slat with feet 50 20' cnt

Self-supporting



INTERLOCKING

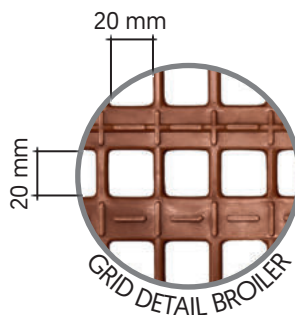


Cod. 0450007.50

GRINTA-T FOR BROILER

Weight:

7 kg

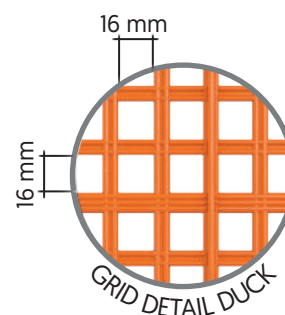


Cod. 0450004.03

INOVA FOR DUCK

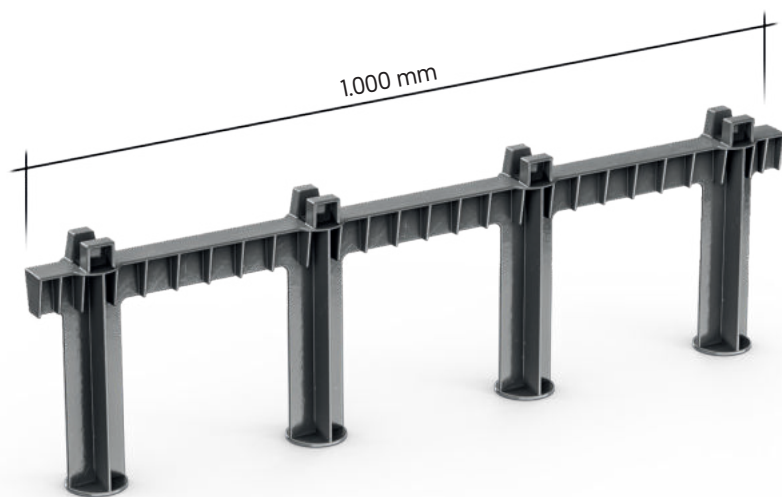
Weight:

7 kg





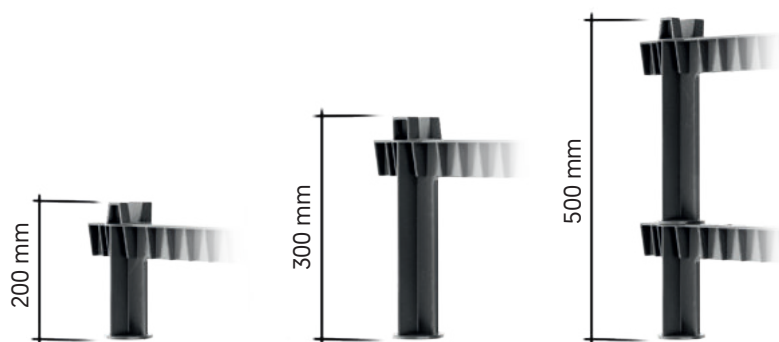
GRINTA-T/INOVA SLAT



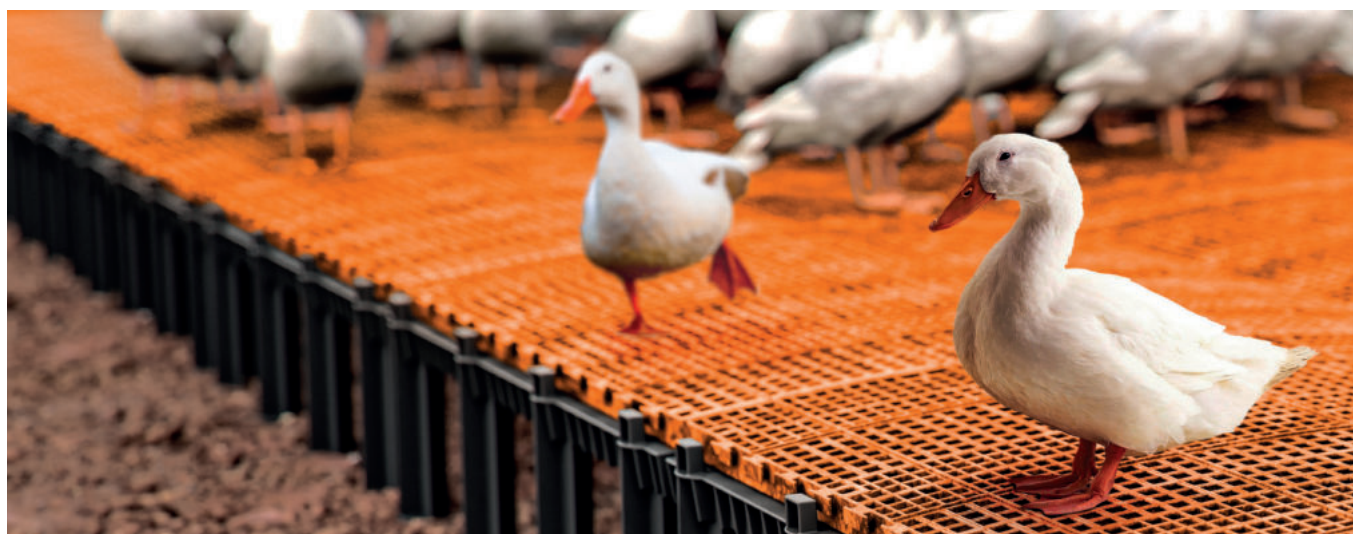
Cod. 0450011.50
1.000x**200** mm
BROILER

Cod. 0450010.50
1.000x**300** mm
DUCK

Cod. 0450012.50
1.000x**500** mm
DUCK/BREEDER



INTERLOCKING





PALMY SLAT



Cod. 0450018.51

CHARACTERISTICS

Outside dimensions:
1.200x1.000 mm

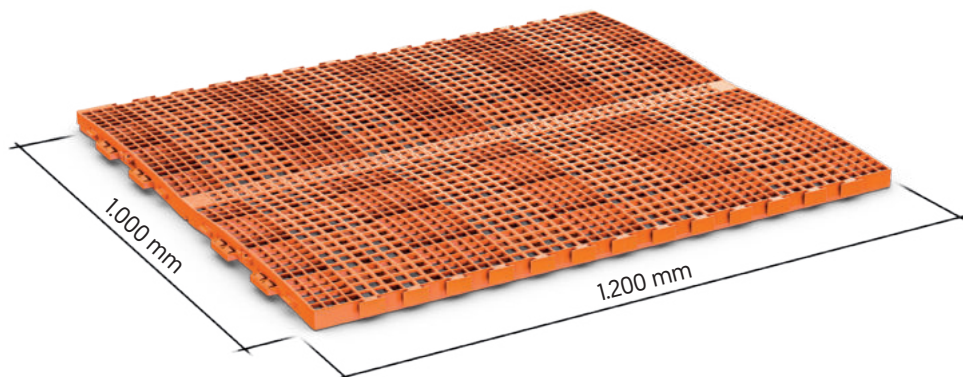
Weight:
6,325 kg

Loading resistance:
200 kg/m²

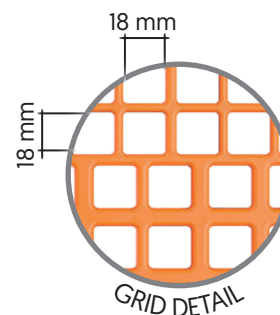
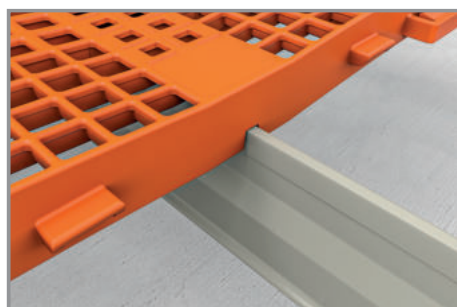
Standard colour:
yellow

Shipping capacity:
436 pieces per 20' cnt
846 pieces per 40' cnt
966 pieces per 40' HC

Wood/metal/resin support



INTERLOCKING





ECONOMICAL SLAT



Cod. 0450002.50

CHARACTERISTICS

Outside dimensions:
1.150x630 mm

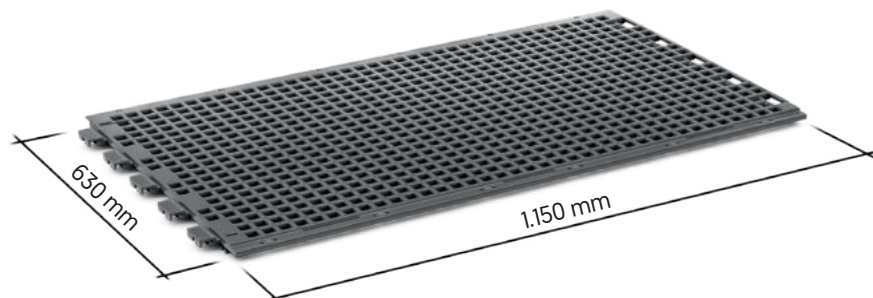
Weight:
3,450 kg

Loading resistance:
200 kg/m²

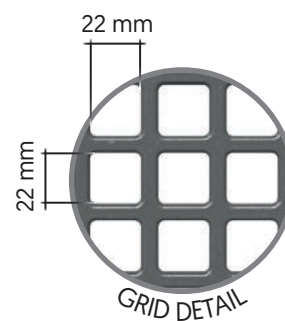
Standard colour:
grey

Shipping capacity:
2.520 pieces per 20' cnt
5.320 pieces per 40' cnt
6.000 pieces per 40' HC

Wood support



INTERLOCKING





BROILER SLAT MALAYSIA



Cod. 0450021

CHARACTERISTICS

Outside dimensions:
1.000x500 mm

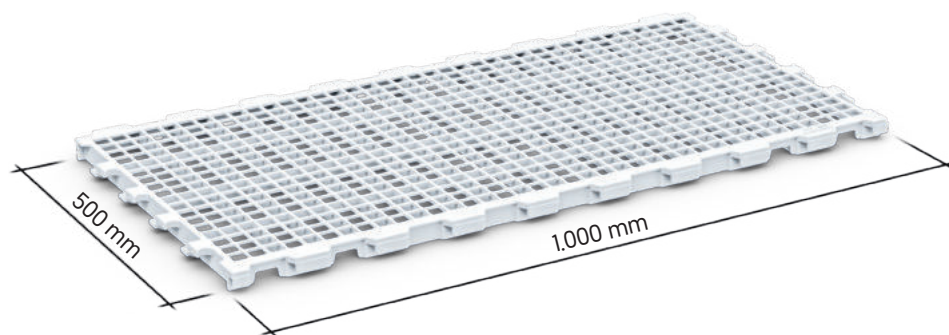
Weight:
1,900 kg

Available colours:
white

Shipping capacity:
1.500 pieces per 20' cnt
3.000 pieces per 40' cnt
3.400 pieces per 40' HC

Metal support

Made in Malaysia



INTERLOCKING

