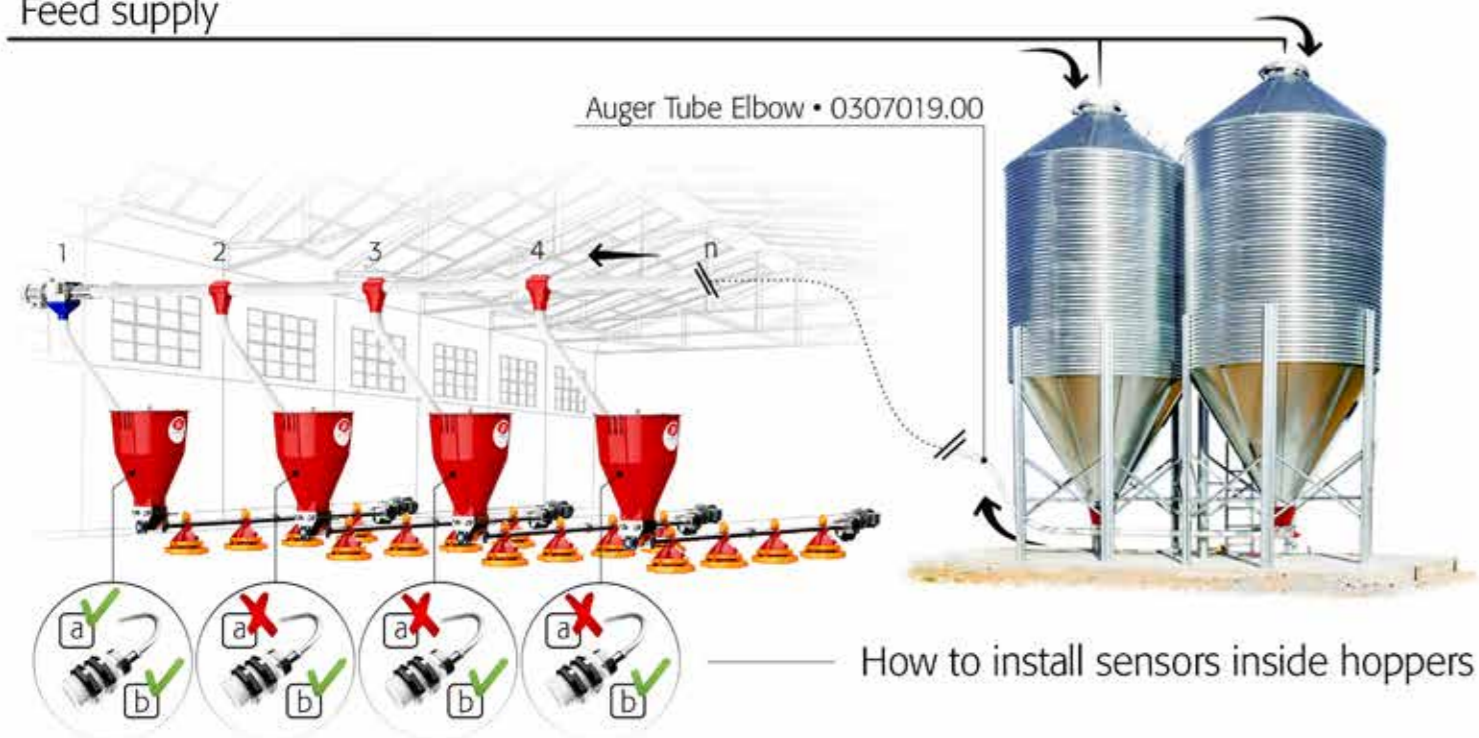


Feed supply



Sensor installation on Twist feeder



Ceiling mounted hand winch • 0307035.00
Installation kit • 0307042.00



Sensor installation on Polyfeeder



GIORDANO
POULTRY PLAST®

purely professional.

Giordano Poultry Plast S.p.A.
Via Bernezzo, 47
12023 CARAGLIO - Cuneo - Italy
Tel. +39 0171 61.97.15
Fax +39 0171 81.75.81
info@poultryplast.com

GIORDANO POULTRY PLAST S.p.A. reserves the right to modify products' features and data contained in this catalogue, and accepts no liability for errors and/or omissions in the published information. All rights reserved, including translation rights. The complete or partial reproduction of this publication without the authorization of Giordano Poultry Plast S.p.a is prohibited.



www.poultryplast.com

GIORDANO
POULTRY PLAST®

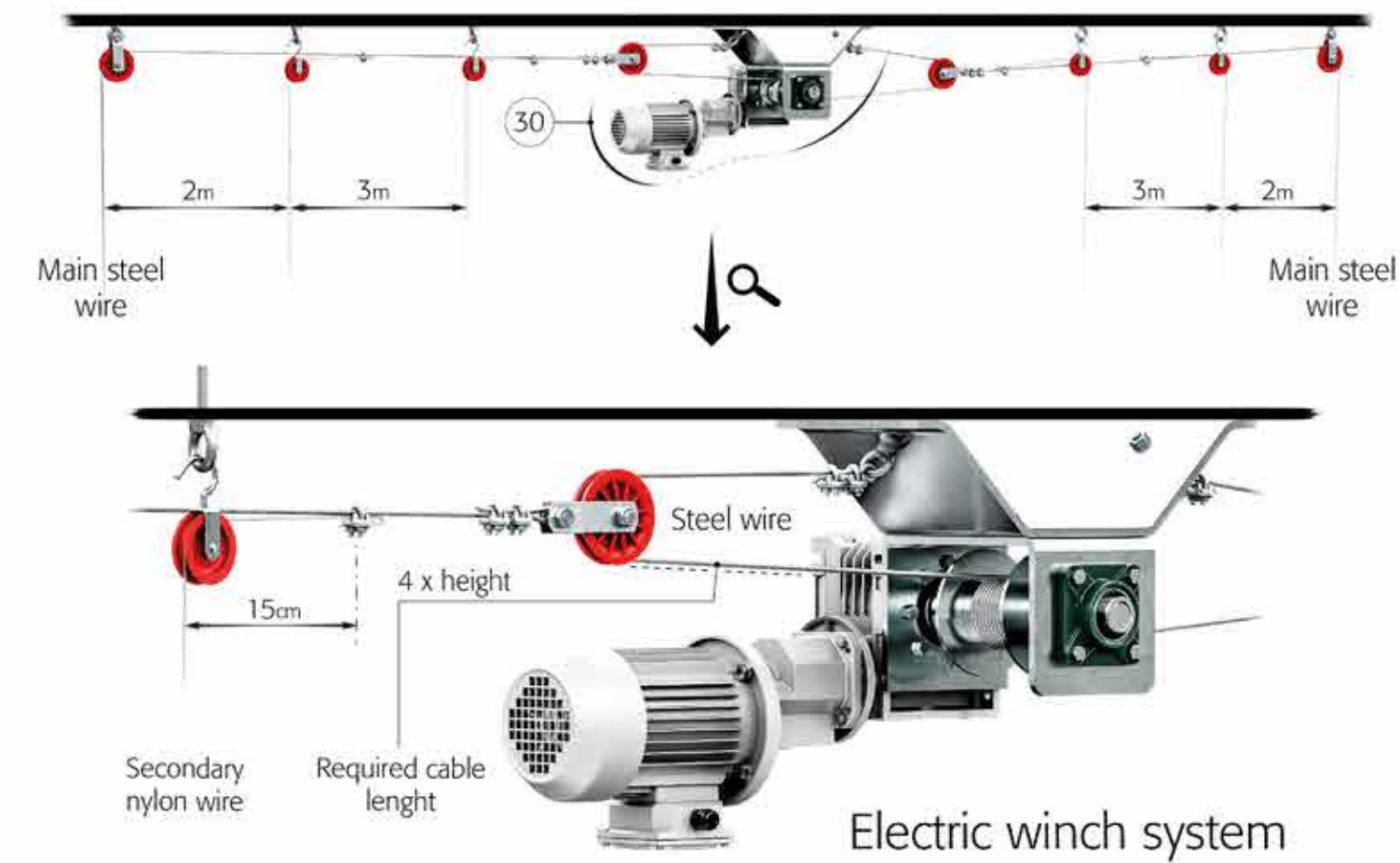
www.poultryplast.com

**USER'S
HANDBOOK**



**FEEDERS
LINE**



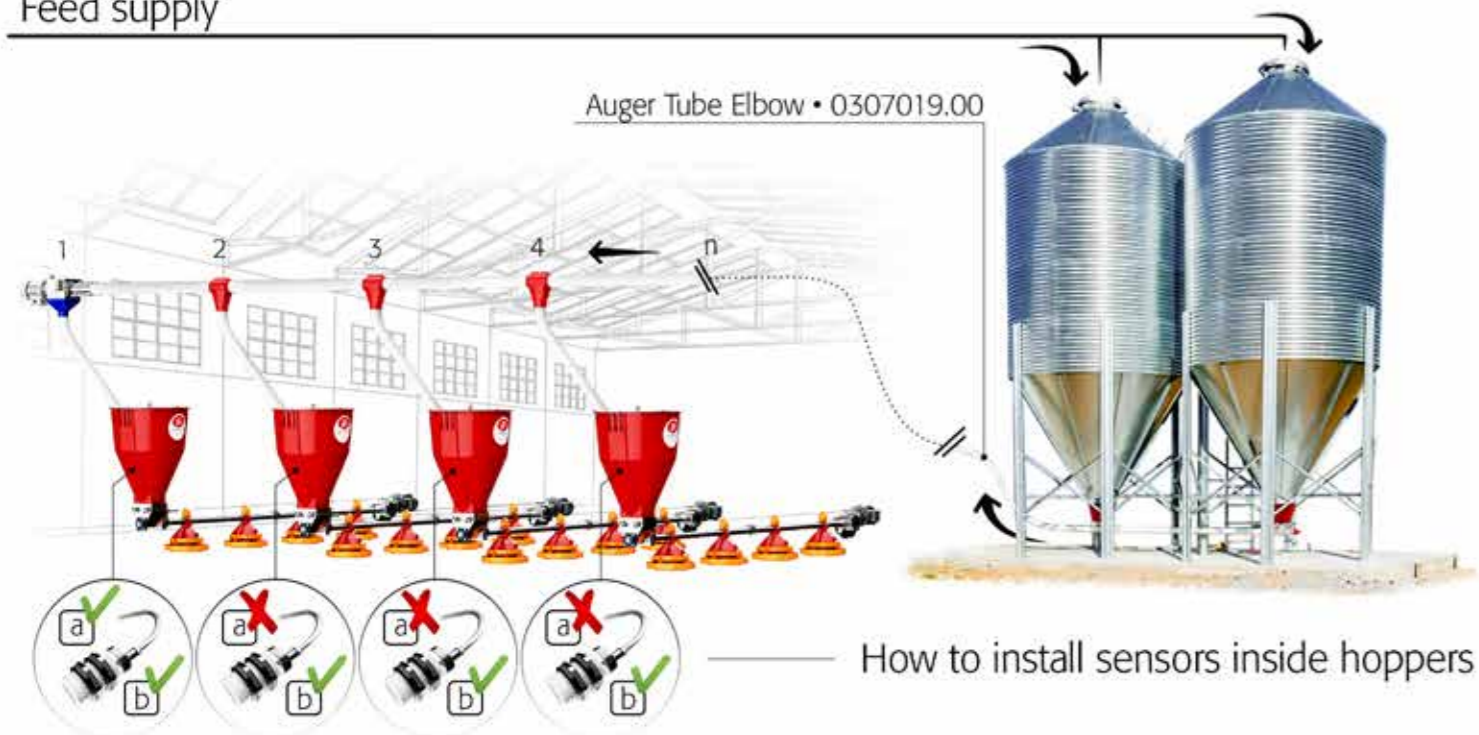


LIST OF COMPONENTS

1	0307032.00 • Wall-mounted hand winch installation kit	16	0307047.00 • Cone for Hopper 100 lt.
2	0307033.00 • Wall-mounted hand winch	17	0307037.00 • Anti-perch mounting set
3	0307040.00 • Lifting accessories x meter	18	0308003.00 • Twist Feeder with sensor
4	0307046.00 • Auger for Ø90 pipe	19	0307014.00 • Auger for pipes Ø45
5	0307018.00 • T-shaped dropping feeder	20	0308001.00 • Twist Feeder
6	0307013.00 • Ø90 pipe coupling with screws	21	0307028.00 • Pipe clamp with 1 screw
7	0307011.00 • Complete control unit Ø90	22	0307016.00 • Iron pipe (3m) Ø45
8	0307030.00 • Limit switch for hopper	23	0307001.00 • Polyfeeder
8.1	0307031.00 • Limit switch holder	23.1	0307109.00 • Collarete for Polyfeeder
9	0307027.00 • Ø90 Control Unit	24	0307036.00 • Anti-perch wire
10	0307026.00 • FA90 Power Unit	25	0307023.00 • Polyfeeder with sensor
11	0307044.00 • Ø90 Flexible pipe	26	0307021.00 • Pipe coupling with 4 screws
12	0307017.00 • Ø90 Plastic pipe	27	0307022.00 • Ø45 Control Unit
13	0307020.00 • EC3016TBAPL Sensor	28	0307025.00 • Power Unit for feeders
14	0307029.00 • Feed intake boot for hopper	29	0307024.00 • Control + Power unit Ø45
15	0307012.00 • Complete Hopper with boot	30	0307010.00 • Electric Winch

*Only the last feeder of each line is equipped with sensor.

Feed supply



Sensor installation on Twist feeder



Ceiling mounted hand winch • 0307035.00
Installation kit • 0307042.00



Sensor installation on Polyfeeder



GIORDANO
POULTRY PLAST®

purely professional.

Giordano Poultry Plast S.p.A.
Via Bernezzo, 47
12023 CARAGLIO - Cuneo - Italy
Tel. +39 0171 61.97.15
Fax +39 0171 81.75.81
info@poultryplast.com

GIORDANO POULTRY PLAST S.p.A. reserves the right to modify products' features and data contained in this catalogue, and accepts no liability for errors and/or omissions in the published information. All rights reserved, including translation rights. The complete or partial reproduction of this publication without the authorization of Giordano Poultry Plast S.p.a is prohibited.



www.poultryplast.com

GIORDANO
POULTRY PLAST®
www.poultryplast.com

**USER'S
HANDBOOK**



**FEEDERS
LINE**

